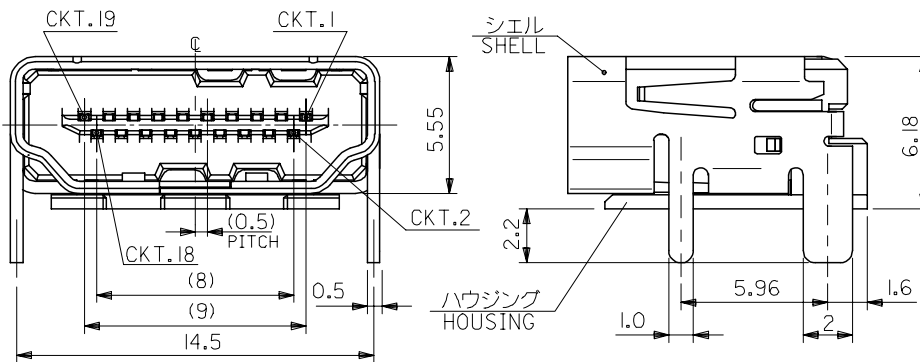


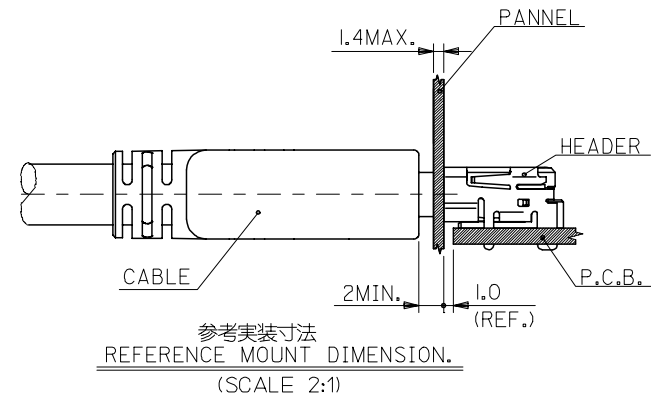
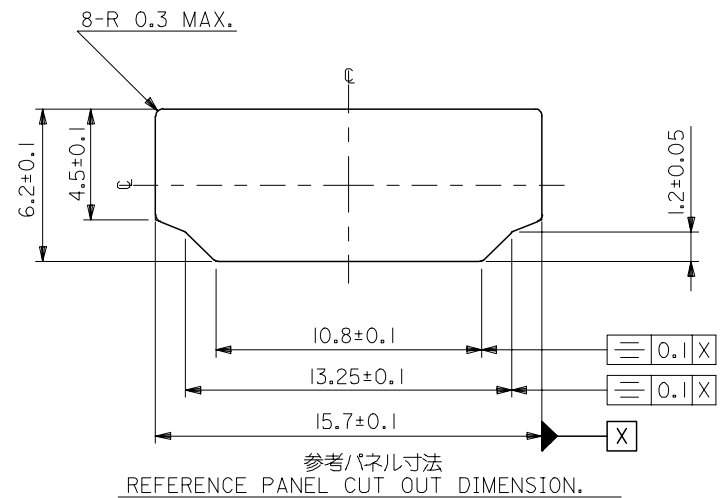
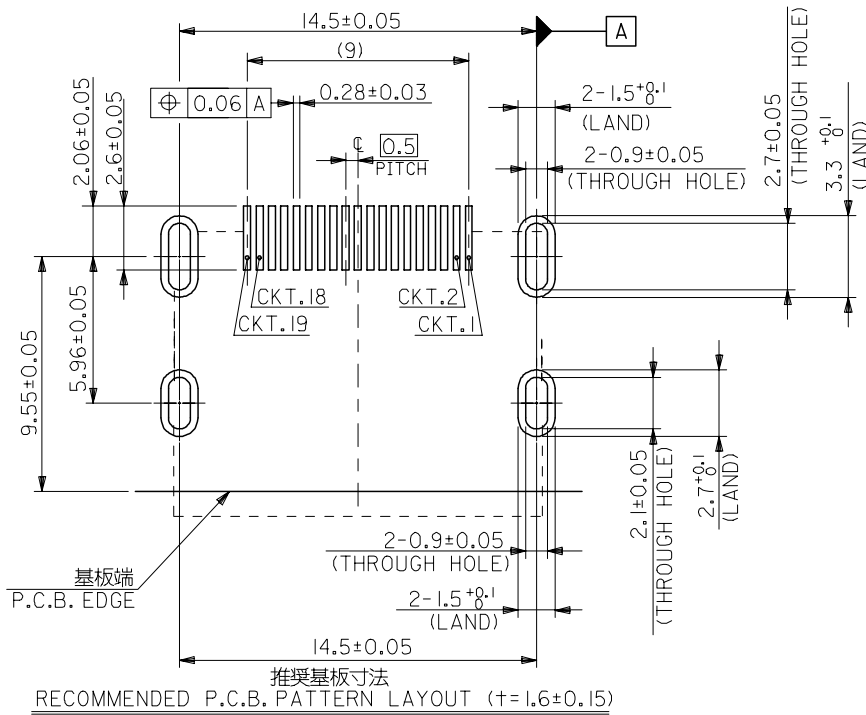
注記  
NOTE

- 材質  
MATERIAL  
ハウジング: ガラス入り耐熱樹脂  
HOUSING: GLASS FILLED HEAT-RESISTED RESIN, UL94V-0  
ターミナル: 銅合金  
TERMINAL: COPPER ALLOY  
シェル: 銅合金  
SHELL: COPPER ALLOY
- めっき仕様  
PLATING  
ターミナル: <接点部>金めっき 0.76マイクロメートル以上  
TERMINAL <CONTACT AREA> GOLD(AU) 0.76 MICROMETER MINIMUM.  
<半田付け部>錫めっき 1.0マイクロメートル以上  
<SOLDER TAIL AREA> TIN(SN) 1.0 MICROMETER MINIMUM.  
<下地>ニッケルめっき 2マイクロメートル以上  
<UNDER-PLATING> NICKEL(NI) 2 MICROMETER MINIMUM.  
シェル: 錫めっき 1.0マイクロメートル以上  
SHELL TIN(SN) 1.0 MICROMETER MINIMUM.  
下地ニッケルめっき 1.27マイクロメートル以上  
UNDER-PLATING NICKEL (NI) 1.27 MICROMETER MINIMUM.
- テール部の平坦度: 0.1 MAXIMUM.  
COPLANALITY OF TAIL: 0.1 MAXIMUM.



500254-1927	19
EMBOSS PACKAGING	CIRCUITS
MATERIAL NO.	

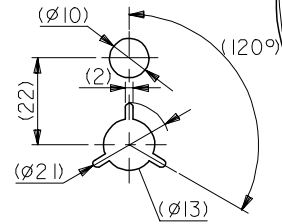
REVISED EC NO: J2006-0032 DRWN: NABE 2005/07/05 CHKD: KTOYODA 2005/07/06 APPR: NUKITA 2005/07/12	GENERAL TOLERANCES (UNLESS SPECIFIED)		DIMENSION STYLE MM ONLY	SCALE 5:1	DESIGN UNITS METRIC	THIRD ANGLE PROJECTION
	10 UNDER	±0.2	DRAWN BY K. TOYODA	DATE '04/03/26	TITLE HDMI RIGHT ANGLE HEADER ASSY -LEAD FREE-	
	10 OVER 30 UNDER	±0.25	CHECKED BY K. ASAKAWA	DATE '04/03/26	MOLEX INCORPORATED	
	30 OVER	±0.3	APPROVED BY S. ICHIKAWA	DATE '04/03/26	MATERIAL NO.	DOCUMENT NO. SD-500254-005
	ANGULAR	±3 °	SEE CHART			
	DRAFT WHERE APPLICABLE MUST REMAIN WITHIN DIMENSIONS		SIZE A3	THIS DRAWING CONTAINS INFORMATION THAT IS PROPRIETARY TO MOLEX INCORPORATED AND SHOULD NOT BE USED WITHOUT WRITTEN PERMISSION		



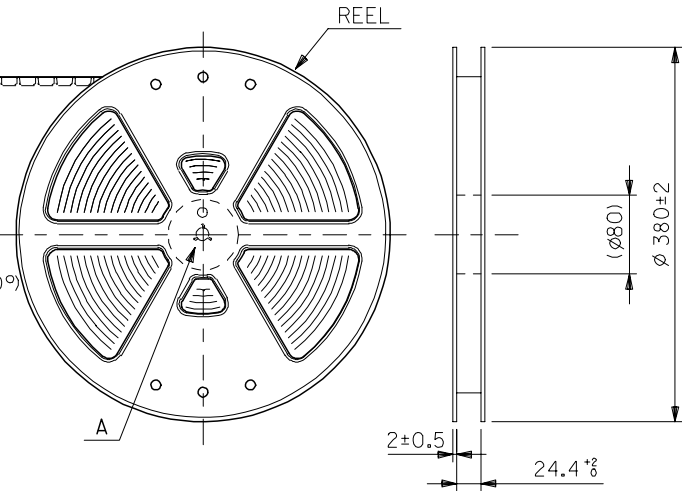
REVISED EC NO: J2006-0032 DRWN: NABEI 2005/07/05 CHKD: KTOYODA 2005/07/06 APPR: NUKITA 2005/07/12	GENERAL TOLERANCES (UNLESS SPECIFIED)		DIMENSION STYLE MM ONLY		SCALE 5:1	DESIGN UNITS METRIC	THIRD ANGLE PROJECTION	
	10 UNDER	± 0.2	DRAWN BY K. TOYODA	DATE '04/03/26	TITLE HDMI RIGHT ANGLE HEADER ASSY -LEAD FREE-			
	10 OVER 30 UNDER	± 0.25	CHECKED BY K. ASAKAWA	DATE '04/03/26				
	30 OVER	± 0.3	APPROVED BY S. ICHIKAWA	DATE '04/03/26	MOLEX INCORPORATED			
ANGULAR	± 3 °	MATERIAL NO.	DOCUMENT NO. SD-500254-005	SHEET NO. 2 OF 3				
DRAFT WHERE APPLICABLE MUST REMAIN WITHIN DIMENSIONS		SEE CHART		THIS DRAWING CONTAINS INFORMATION THAT IS PROPRIETARY TO MOLEX INCORPORATED AND SHOULD NOT BE USED WITHOUT WRITTEN PERMISSION				

エンボス梱包  
EMBOSS PACKAGE

引き出し方向  
PULL OUT DIRECTION

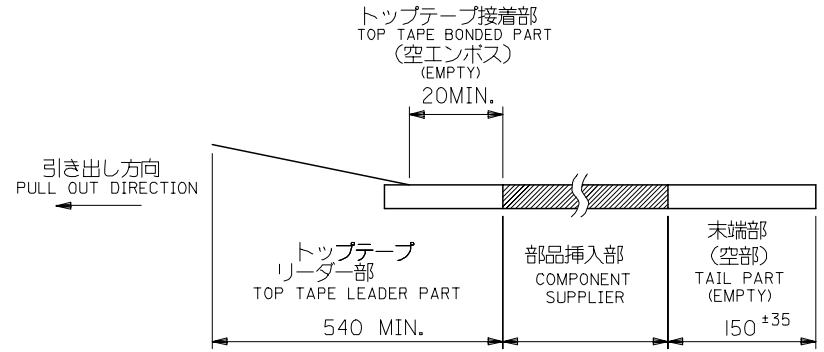


DETAIL A



NOTE

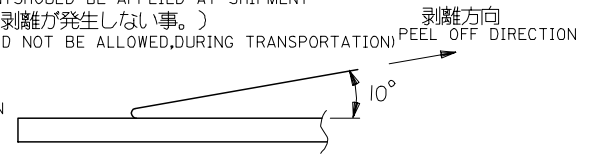
4. 梱包数量: 500 個/リール  
NUMBER OF CONNECTORS: 500 PCS/REEL
5. リードテープ長さ  
LEAD TAPE LENGTH



6. トップテープの剥離強度: 0.1 ~ 1.3N (10 ~ 130gf)  
(剥離方向は下図参照) キャリアテープ幅: 24mm  
(PEELING DIRECTION AS SHOWN IN FOLLOWING FIG.) CARRIER TAPE WIDTH

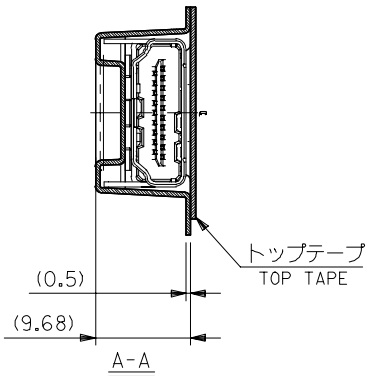
尚、本規格値は、出荷時に適用。  
THIS REQUIREMENTS SHOULD BE APPLIED AT SHIPMENT  
(但し、輸送時に剥離が発生しない事。)  
(PEEL OFF SHOULD NOT BE ALLOWED, DURING TRANSPORTATION)

引き出し方向  
PULL OUT DIRECTION

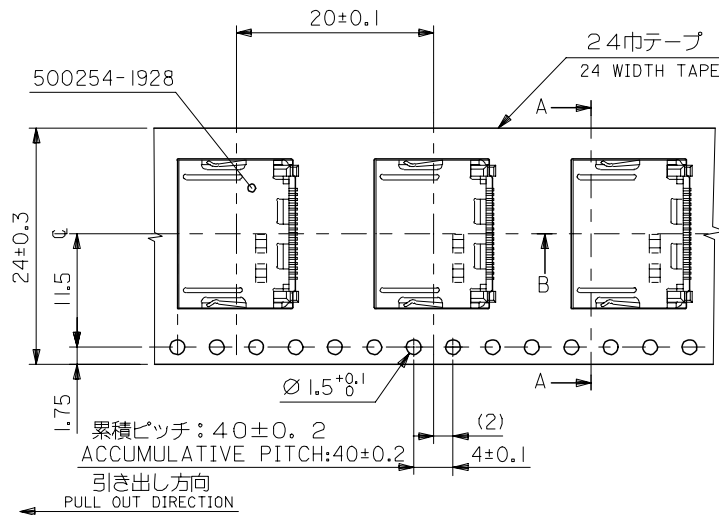


7. 材料  
MATERIAL

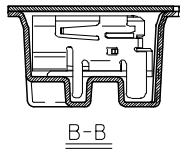
キャリアテープ: ポリプロピレン  
CARRIER TAPE: POLYPROPYLENE  
トップテープ: ポリエステル, ポリエチレン  
TOP TAPE: POLYESTER, POLYETHYLENE  
リール: ポリスチレン  
REEL: POLYSTYRENE



A-A



エンボステープ内の製品の向き  
DIRECTION OF CONNECTOR IN EMBOSS TAPE



B-B

REVISED EC NO: J2006-0032 DRWN: MABEI 2005/07/05 CHKDK: TOYODA 2005/07/06 APPR: NUKITA 2005/07/12	GENERAL TOLERANCES (UNLESS SPECIFIED)		DIMENSION STYLE MM ONLY		SCALE 2:1	DESIGN UNITS METRIC	500254-1927 19 MATERIAL NO. CIRCUITS		
	10 UNDER	±0.2	DRAWN BY K. TOYODA	DATE '04/03/26	TITLE HDMI RIGHT ANGLE HEADER ASSY -LEAD FREE-				
	10 OVER 30 UNDER	±0.25	CHECKED BY K. ASAKAWA	DATE '04/03/26					
	30 OVER	±0.3	APPROVED BY S. ICHIKAWA	DATE '04/03/26	MOLEX INCORPORATED				
ANGULAR	±3 °	MATERIAL NO.	DOCUMENT NO. SD-500254-005	SHEET NO. 3 OF 3					
DRAFT WHERE APPLICABLE MUST REMAIN WITHIN DIMENSIONS		SIZE A3	THIS DRAWING CONTAINS INFORMATION THAT IS PROPRIETARY TO MOLEX INCORPORATED AND SHOULD NOT BE USED WITHOUT WRITTEN PERMISSION						